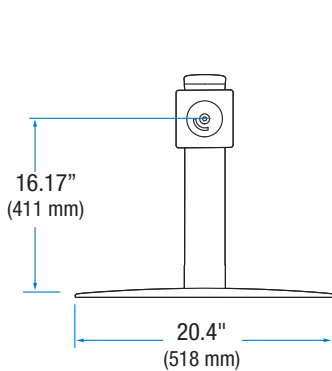


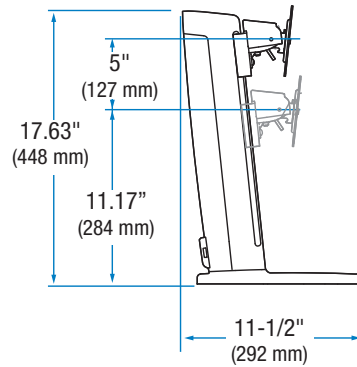
# Ergotron® Neo-Flex™

Dimensional &  
Range of Motion  
Illustrations

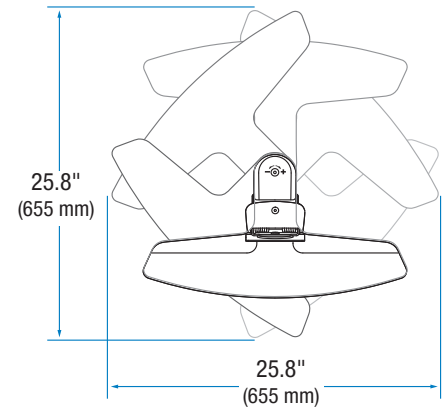
## Neo-Flex Widescreen Lift Stand: 33-329-085



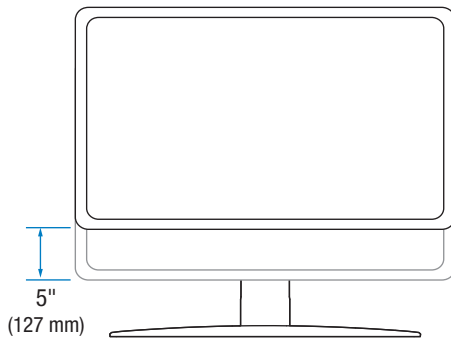
Front View



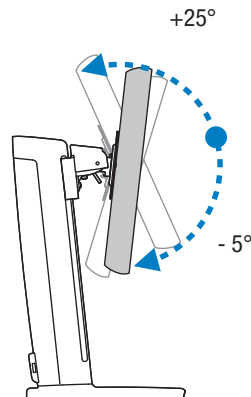
Side View



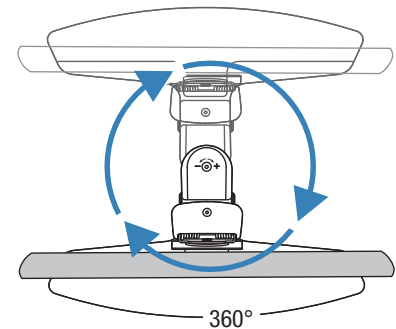
Top View



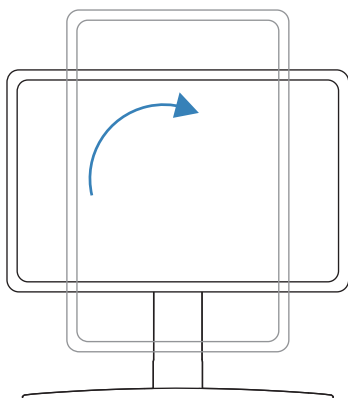
Front View



Side View

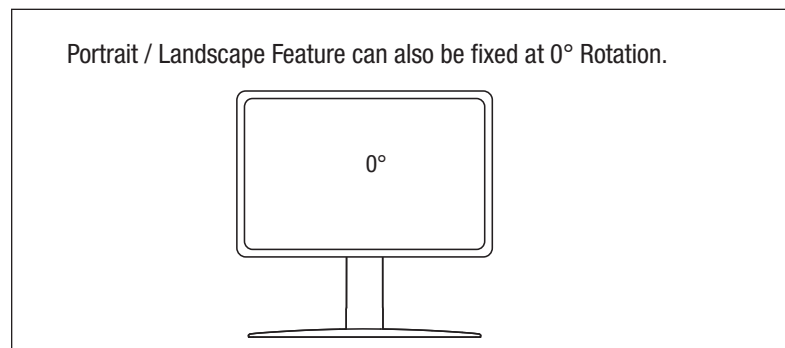


Top View



For full rotation, screen size must not exceed 32".

Front View



© 2010 Ergotron, Inc. rev. 08/04/2010 DIM-074-C Content is subject to change without notification

### Americas Sales and Corporate Headquarters

St. Paul, MN USA  
(800) 888-8458  
+1-651-681-7600  
www.ergotron.com  
sales@ergotron.com

### EMEA Sales

Amersfoort, The Netherlands  
+31 33 45 45 600  
www.ergotron.com  
info.eu@ergotron.com

### APAC Sales

Singapore  
www.ergotron.com  
info.apac@ergotron.com

### Worldwide OEM Sales

www.ergotron.com  
info.oem@ergotron.com

**Attention:** Listed allowable widths assume monitor thickness is 4" (102 mm). If monitor thickness is less, allowable width may be more. Contact Ergotron for details.