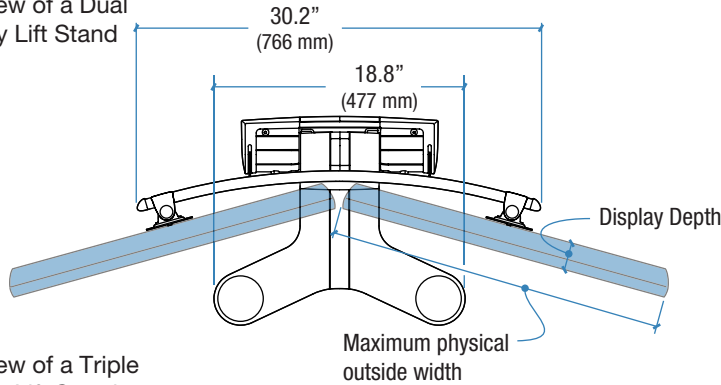


### Dual and Triple Lift Stands

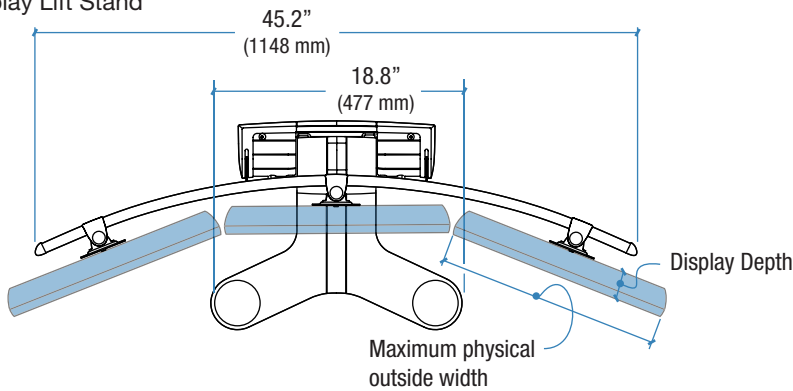
Top view of a Dual Display Lift Stand



#### Dual Mount Displays

| Maximum Width     | Depth         |
|-------------------|---------------|
| 25.00" (635.0 mm) | 2" (50.8 mm)  |
| 24.75" (628.7 mm) | 3" (76.2 mm)  |
| 24.38" (619.3 mm) | 4" (101.6 mm) |
| 23.75" (603.3 mm) | 5" (127.0 mm) |

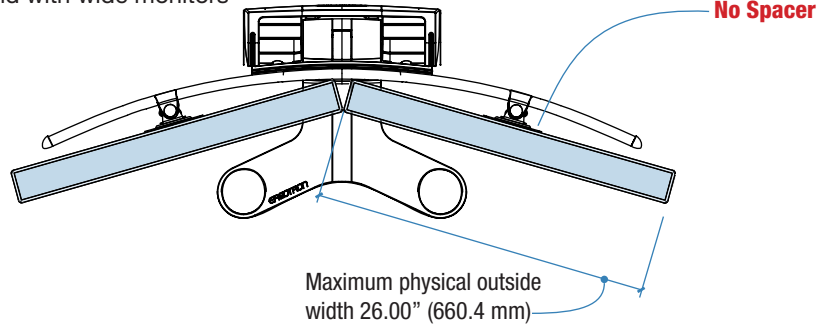
Top view of a Triple Display Lift Stand



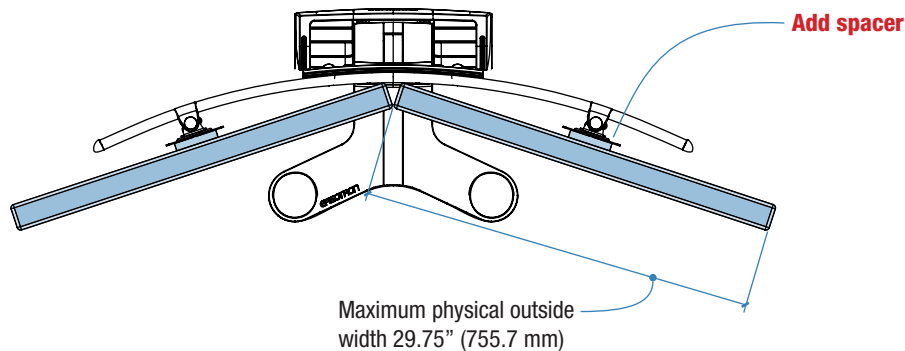
#### Triple Mount Displays

| Maximum Width     | Depth         |
|-------------------|---------------|
| 20.25" (514.3 mm) | 2" (50.8 mm)  |
| 19.75" (501.7 mm) | 3" (76.2 mm)  |
| 19.25" (489.0 mm) | 4" (101.6 mm) |
| 19.00" (482.6 mm) | 5" (127.0 mm) |

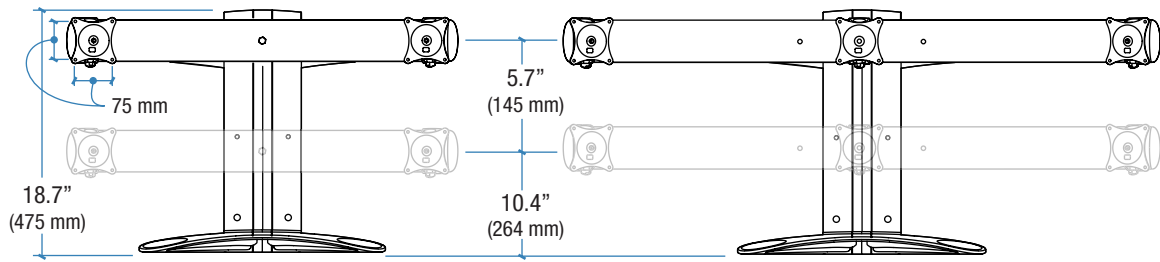
Top view of a Triple Display Lift Stand with wide monitors



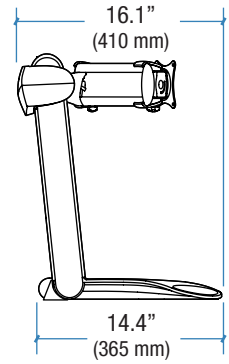
Top view of a Triple Display Lift Stand with wide monitors



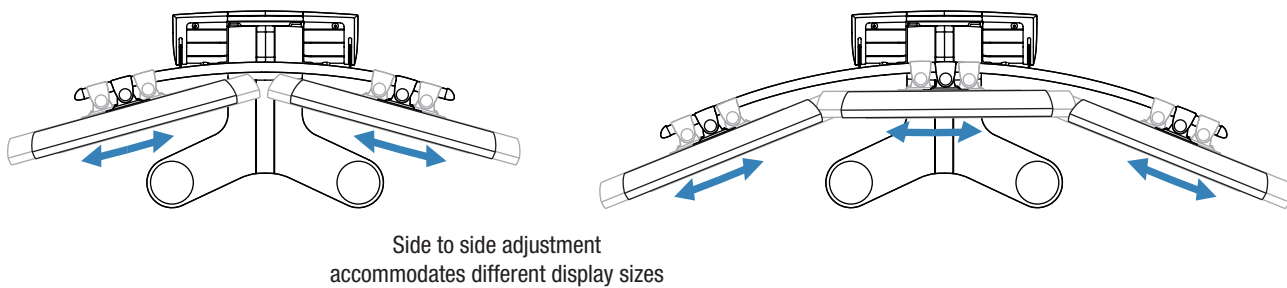
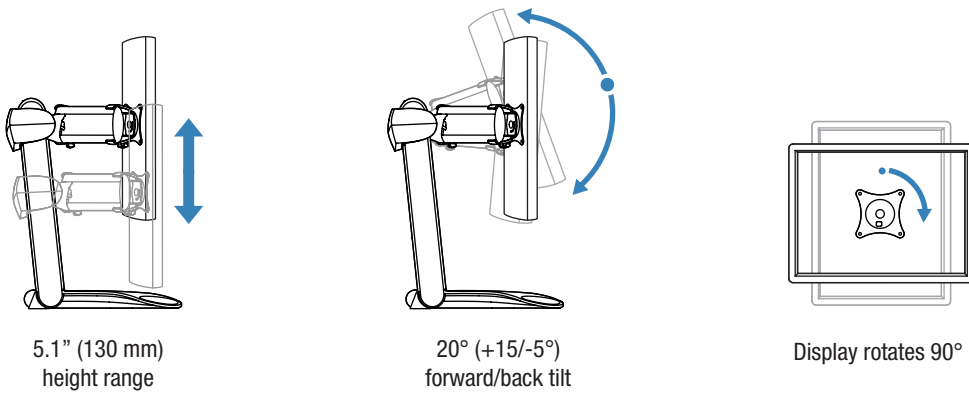
Front views



Side view



Range of Motion



© 2007 Ergotron, Inc. rev. 06/05/2007 DIM-065 Content is subject to change without notification

**Americas Sales and Corporate Headquarters**

St. Paul, MN USA  
 (800) 888-8458  
 +1-651-681-7600  
 www.ergotron.com  
 sales@ergotron.com

**EMEA Sales**

Amersfoort, The Netherlands  
 +31 33 45 45 600  
 www.ergotron.com  
 info.eu@ergotron.com

**APAC Sales**

Singapore  
 www.ergotron.com  
 info.apac@ergotron.com

**Worldwide OEM Sales**

www.ergotron.com  
 info.oem@ergotron.com

